



**Web Wire Mesh Co.,Ltd.**

## **Conical Strainer**



**Cone Type &  
Flat Top Type**

## Conical Strainer Cone Type & Flat Top Type

### Cone Type

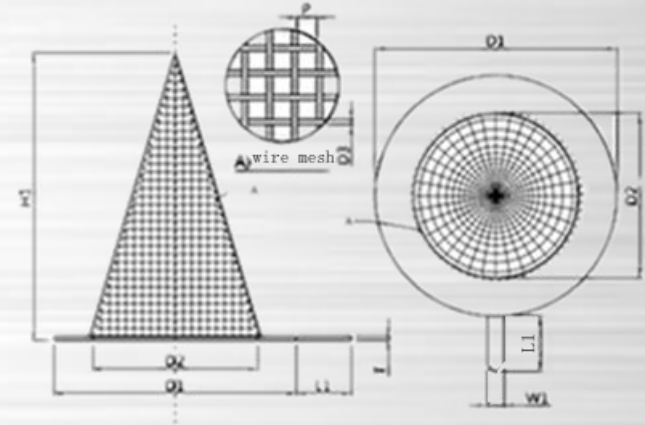
**Diameter (D1,D2)**

D1 stands for outside diameter

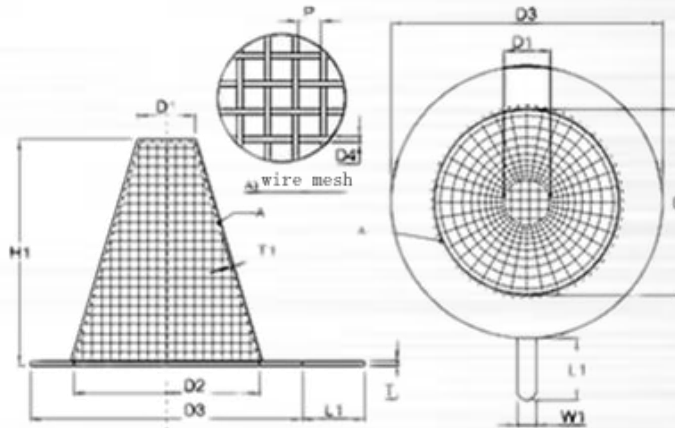
D2 stands for inside diameter

**Length (H1)**

**Open Area(OA)**



### Flat Top Type



**Diameter (D1,D2,D3)**

D1 stands for top diameter

D2 stands for inside diameter

D3 stands for outside diameter

**Length (H1)**

**Open Area(OA)**

## Conical Strainer Cone Type & Flat Top Type

Line Size	Inside Diameter	Flange Dimensions (Inches)				
		Outside Diameter (ASME Class 150 - 1500)				
		150 / 300	400	600	900	1500
3/4	5/8	2 1/8	2 1/2	2 1/2	2 5/8	2 5/8
1	3/4	2 1/2	2 3/4	2 3/4	3	3
1 1/2	1 1/4	3 1/4	3 5/8	3 5/8	3 3/4	3 3/4
2	1 3/4	4	4 1/4	4 1/4	5 1/2	5 1/2
2 1/2	2 1/4	4 3/4	5	5	6 3/8	6 3/8
3	2 3/4	5 1/4	5 3/4	5 3/4	6 1/2	6 3/4
4	3 3/4	6 3/4	7	7 1/2	8	8 1/8
5	4 5/8	7 5/8	8 1/4	9 3/8	9 5/8	9 7/8
6	5 1/2	8 5/8	9 3/4	10 3/8	11 1/4	11
8	7 3/8	10 7/8	12	12 1/2	14	13 3/4
10	9 3/8	13 1/4	14 1/8	15 5/8	17	17
12	11	16	16 1/2	17 7/8	19 1/2	20 3/8
14	12 1/4	17 3/8	18 7/8	19	20 3/8	22 5/8
16	14	20 1/8	21	21 7/8	22 1/2	25 1/8
18	15 3/4	21 1/4	23 1/4	23 3/4	25	27 5/8
20	17 1/2	23 1/2	25 1/2	26 5/8	27 3/8	29 5/8
24	21 1/4	27 7/8	30 1/4	30 7/8	32 7/8	35 3/8
30	27 1/4	34 3/8	37 1/8	37 7/8	39 3/8	***
36	33	40 7/8	43 5/8	44 1/8	46 7/8	***

## Conical Strainer Cone Type & Flat Top Type

Line Size	Length (Inches)							
	Cone Type				Flat Top Type			
	100%OA	150%OA	200%OA	300%OA	100%OA	150%OA	200%OA	300%OA
3/4	3	4	5	6	1 1/2	2	3	4
1	3	4	5	6	1 1/2	2	3	4
1 1/2	3 1/2	4 1/2	6	9	2	2 1/2	3 1/2	5
2	4	6	8	11	2 1/2	3	4	6
2 1/2	4	6	8	11	2 1/2	3	4	6
3	5	7	9	13	3	4 1/2	6	8
4	8	10	12	18	4	5	7	11
5	8	11	14	22	5	6 1/2	9	14
6	9	13	18	25	5 1/2	8	11	17
8	12	17	23	33	7	11	14	21
10	14	21	28	41	8	13	17	26
12	16	25	34	49	10	15	20	31
14	18	27	36	53	10	16	22	33
16	21	31	40	61	12	19	24	37
18	24	35	46	68	14	21	27	41
20	26	38	51	76	16	24	31	48
24	31	45	61	90	18	28	37	57
30	38	57	76	114	22	34	46	71
36	46	68	91	130	27	42	58	85

## Conical Strainer Cone Type & Flat Top Type



Factory in AP

### Head

#### Web Wire Mesh CO.,Ltd.

NO 12 The East Zone Development Industry  
Hebei, China

Tel: +86 0318 7568801

Fax: +86 0318 7568802

E-mail: [zhao@webwirecloth.com](mailto:zhao@webwirecloth.com)

Internet: [www.webwirecloth.com](http://www.webwirecloth.com)

### Branch

#### Web Wire Mesh CO.,Ltd.---SJZ Branch

NO 2701 CYC Shijiazhuang City  
Hebei, China

Tel: +86 0311 89255081

Fax: +86 0311 89255081

E-mail: [zhao@webwirecloth.com](mailto:zhao@webwirecloth.com)

Internet: [www.webwirecloth.com](http://www.webwirecloth.com)