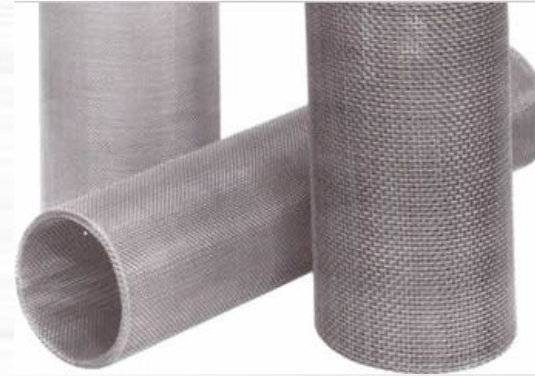




**Web Wire Mesh Co.,Ltd.**

**Filter Tube**

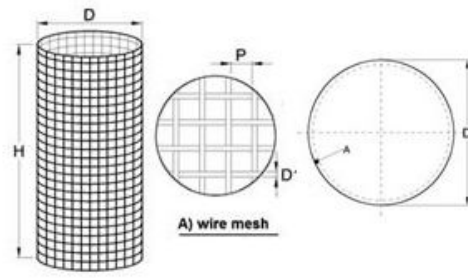


**Woven Mesh &  
Expanded Metal &  
Perforated Metal Type**

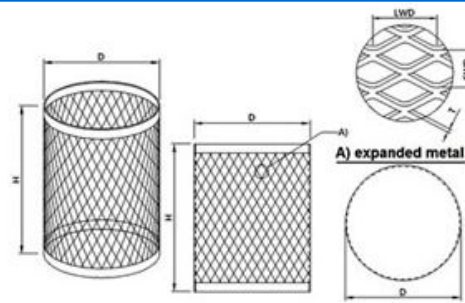
# Filter Tube

## Woven Mesh & Perforated & Expanded Type

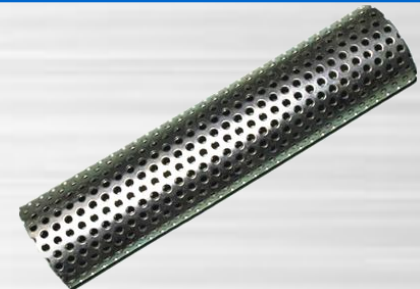
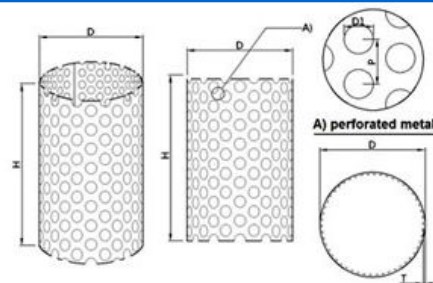
### Woven Wire Mesh



### Expanded Metal Mesh



### Perforated Metal Mesh



## Filter Tube

### Woven Mesh & Perforated & Expanded Type

Size D(mm)	Length L(mm)	Layers	Form
10	10-1000	1-2	welding / sintering
20	10-1000	1-3	welding / sintering
30	10-1000	1-3	welding / sintering
50	10-1000	1-3	welding / sintering
70	10-1000	1-3	welding / sintering
100	10-1000	1-3	welding / sintering
150	10-1000	1-3	welding / sintering
180	10-1000	1-3	welding / sintering
200	10-1000	1-3	welding / sintering
220	10-1000	1-3	welding / sintering
250	10-1000	1-3	welding / sintering
280	10-1000	1-3	welding / sintering
300	10-1000	1-3	welding / sintering

## Filter Tube

### Woven Mesh & Perforated & Expanded Type



Factory in AP

#### Head

##### Web Wire Mesh CO.,Ltd.

NO 12 The East Zone Development Industry  
Hebei, China

Tel: +86 0318 7568801

Fax: +86 0318 7568802

E-mail: [zhao@webwirecloth.com](mailto:zhao@webwirecloth.com)

Internet: [www.webwirecloth.com](http://www.webwirecloth.com)

#### Branch

##### Web Wire Mesh CO.,Ltd.---SJZ Branch

NO 2701 CYC Shijiazhuang City  
Hebei, China

Tel: +86 0311 89255081

Fax: +86 0311 89255081

E-mail: [zhao@webwirecloth.com](mailto:zhao@webwirecloth.com)

Internet: [www.webwirecloth.com](http://www.webwirecloth.com)