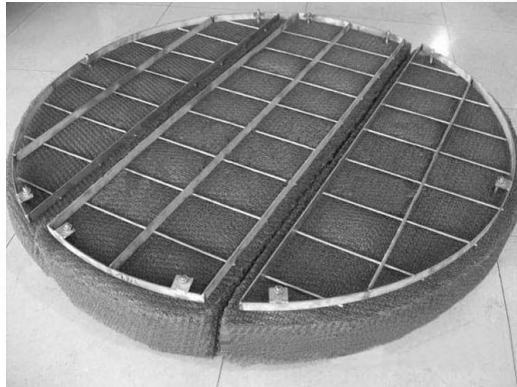




WIRE MESH
WEB WIRE MESH CO.,LTD

Wire Mesh Demister Pads

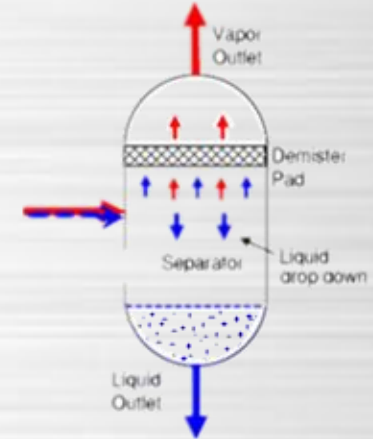


Round Type

Wire Mesh Demister Pads Round Type

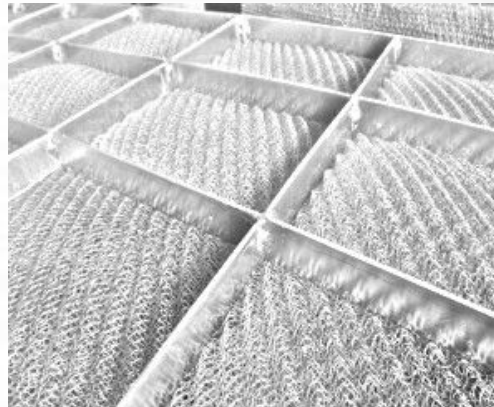
Demister Pads

It is a gas-liquid separator, when the vapor through demister pads it can remove the water mist, its mainly application for separation of diameter greater than $3\mu\text{m} \sim 5\mu\text{m}$ droplets



Grating and Wire Mesh

Wire mesh demister pads are made up knitted gauze pad and support grid of two parts



Diameter (DN)

Stands for nominal diameter

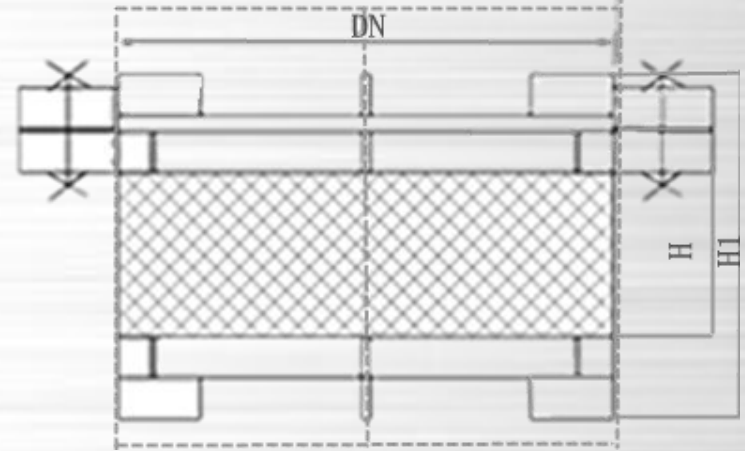
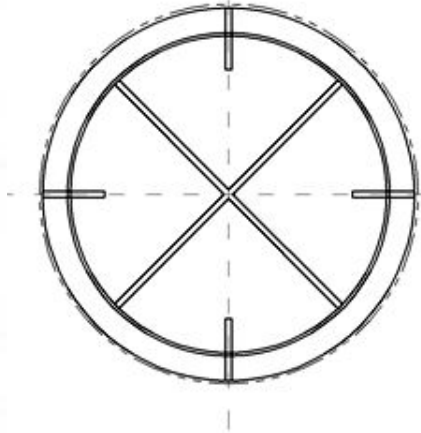
Outside Size (H, H1, H2)

H stands for thickness of wire mesh

H1 stands for height of wire mesh and grating

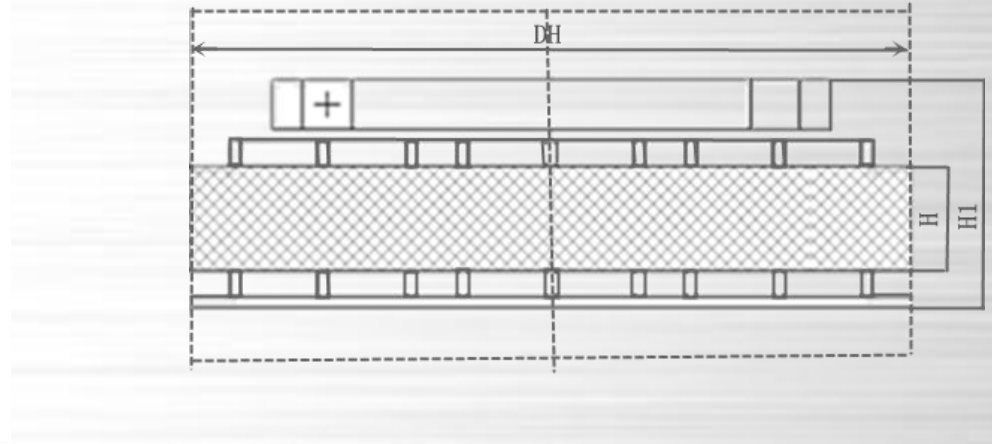
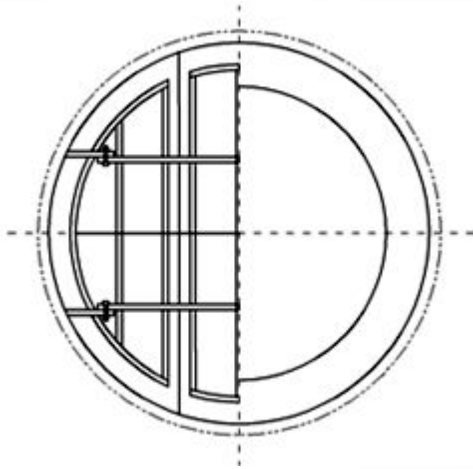
H2 stands for height of three parts(wire mesh, grating and support)

Wire Mesh Demister Pads Round Type DN300-600



Diameter DN (mm)	Outside Size (mm)			Weight (kgs)		
	H	H1	D	Mesh	Grating	Support
300	100	210	300	1.06	1.67	0.19
	150	260		1.59	1.72	0.19
400	100	210	400	1.83	2.27	0.19
	150	260		2.75	2.32	0.19
500	100	210	500	2.81	2.89	0.19
	150	260		4.22	2.94	0.19
600	100	210	600	3.99	3.47	0.19
	150	260		5.99	3.52	0.19

Wire Mesh Demister Pads Round Type DN700-1600

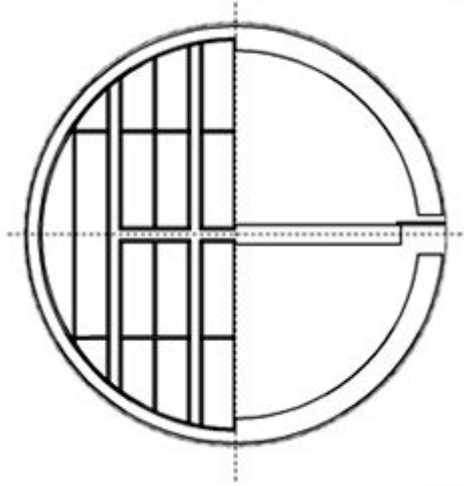


Diameter DN (mm)	Outside Size (mm)			Weight (kgs)		
	H	H1	D	Mesh	Grating	Support
700	100	218	620	5.77	8.60	8.63
	150	268		8.67	8.77	8.63
800	100	218	720	8.86	8.46	9.88
	150	268		13.30	8.63	9.88
900	100	218	820	11.15	11.32	11.0
	150	268		16.73	11.49	11.0

Wire Mesh Demister Pads Round Type DN700-1600

Diameter DN (mm)	Outside Size (mm)			Weight (kgs)		
	H	H1	D	Mesh	Grating	Support
1000	100	218	920	13.69	12.42	12.12
	150	268		20.55	12.61	12.12
1100	100	218	1020	16.32	13.86	13.17
	150	268		24.28	14.05	13.17
1200	100	218	1120	19.36	15.74	14.49
	150	268		29.46	15.93	14.49
1300	100	228	1220	22.97	22.84	19.02
	150	278		34.47	23.15	19.02
1400	100	228	1320	26.59	24.36	20.69
	150	278		39.90	24.58	20.69
1500	100	228	1420	30.47	26.67	22.43
	150	278		45.72	26.99	22.43
1600	100	228	1520	33.76	31.07	23.50
	150	278		50.64	31.43	23.50

Wire Mesh Demister Pads Round Type DN1700-3200

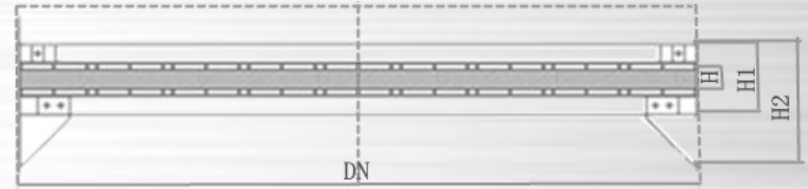
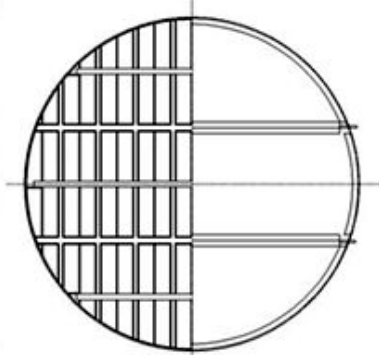


Diameter DN (mm)	Outside Size (mm)			Weight (kgs)		
	H	H1	D	mesh	grating	support
1700	100	360	1600	39	35	67
	150	410		53	36	67
1800	100	360	1700	44	36	71
	150	410		66	37	71
1900	100	360	1800	49	40	75
	150	410		73	41	75

Wire Mesh Demister Pads Round Type DN1700-3200

Diameter DN (mm)	Outside Size (mm)			Weight (kgs)		
	H	H1	D	Mesh	Grating	Support
2000	100	360	1900	54	43	79
	150	410		81	44	79
2200	100	360	2100	65	56	87
	150	410		98	57	87
2400	100	360	2300	78	67	95
	150	410		118	68	95
2600	100	360	2500	91	73	103
	150	410		136	74	103
2800	100	385	2700	106	85	139
	150	435		158	86	139
3000	100	385	2900	121	99	149
	150	435		182	100	149
3200	100	385	3100	138	111	159
	150	435		207	112	159

Wire Mesh Demister Pads Round Type DN3400-4800

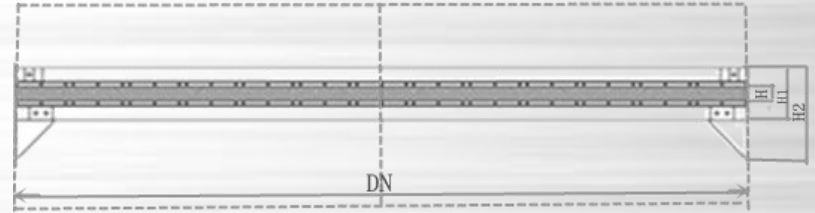
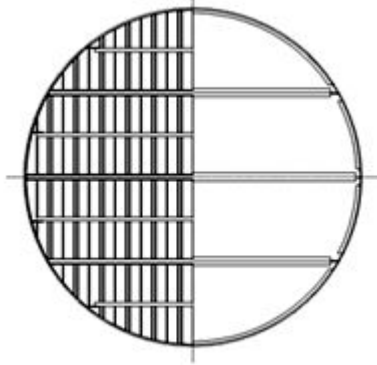


Diameter DN (mm)	Outside Size (mm)			D	Mesh	Weight (kgs)	
	H	H1	H2			Grating	Support
3400	100	350	600	3280	156	126	312
	150	400	650		234	127	312
3600	100	350	600	3480	175	139	315
	150	400	650		262	141	315
3800	100	350	600	3680	194	159	329
	150	400	650		292	162	329
4000	100	350	600	3880	216	176	345
	150	400	650		323	177	345
4200	100	350	600	4080	239	189	359
	150	400	650		359	192	359

Wire Mesh Demister Pads Round Type DN3400-4800

Diameter DN (mm)	Outside Size (mm)				Weight (kgs)		
	H	H1	H2	D	Mesh	Grating	Support
4400	100	350	600	4280	259	202	374
	150	400	650		391	204	374
4600	100	350	600	4480	285	224	401
	150	400	650		427	227	401
4800	100	350	600	4680	310	243	414
	150	400	650		465	245	414

Wire Mesh Demister Pads Round Type DN5000-5200



Diameter DN (mm)	Outside Size (mm)			D	Mesh	Weight (kgs)	
	H	H1	H2			Grating	Support
5000	100	350	600	4880	337	266	550
	150	400	650		505	269	550
5200	100	350	600	5080	364	283	569
	150	400	650		546	286	569

Expanded Metal Mesh Diamond Hole



Factory in AP

Head

Web Wire Mesh CO.,Ltd.

NO 12 The East Zone Development Industry
Hebei, China

Tel: +86 0318 7568801

Fax: +86 0318 7568802

E-mail: zhao@webwirecloth.com

Internet: www.webwirecloth.com

Branch

Web Wire Mesh CO.,Ltd.---SJZ Branch

NO 2701 CYC Shijiazhuang City
Hebei, China

Tel: +86 0311 89255081

Fax: +86 0311 89255081

E-mail: zhao@webwirecloth.com

Internet: www.webwirecloth.com