



WIRE MESH
WEB WIRE MESH CO.,LTD

Conical Strainer



**Cone Type &
Flat Top Type**

Conical Strainer Cone Type & Flat Top Type

Cone Type

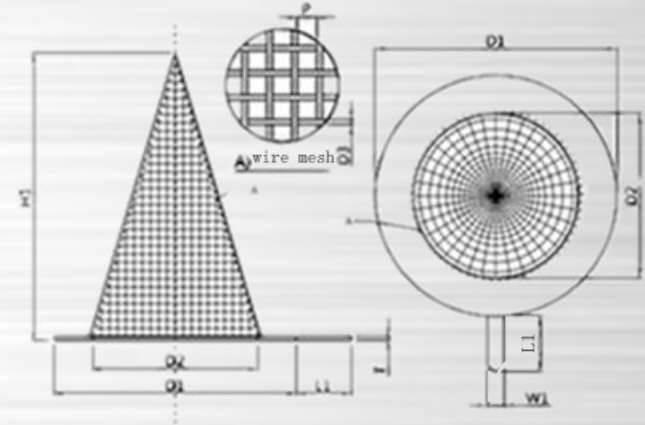
Diameter (D1,D2)

D1 stands for outside diameter

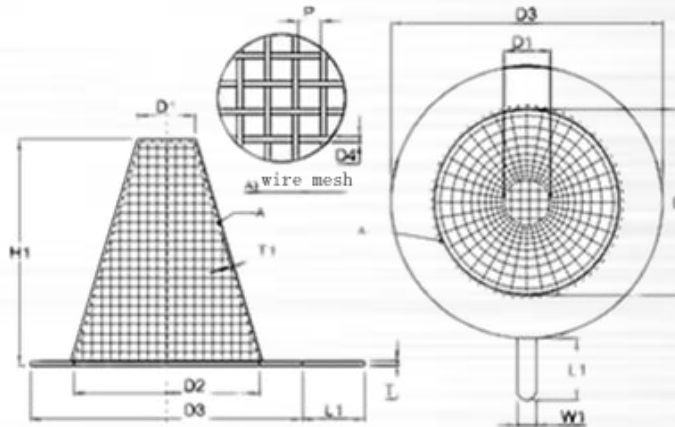
D2 stands for inside diameter

Length (H1)

Open Area(OA)



Flat Top Type



Diameter (D1,D2,D3)

D1 stands for top diameter

D2 stands for inside diameter

D3 stands for outside diameter

Length (H1)

Open Area(OA)

Conical Strainer Cone Type & Flat Top Type

Line Size	Inside Diameter	Flange Dimensions (Inches)				
		Outside Diameter (ASME Class 150 - 1500)				
		150 / 300	400	600	900	1500
3/4	5/8	2 1/8	2 1/2	2 1/2	2 5/8	2 5/8
1	3/4	2 1/2	2 3/4	2 3/4	3	3
1 1/2	1 1/4	3 1/4	3 5/8	3 5/8	3 3/4	3 3/4
2	1 3/4	4	4 1/4	4 1/4	5 1/2	5 1/2
2 1/2	2 1/4	4 3/4	5	5	6 3/8	6 3/8
3	2 3/4	5 1/4	5 3/4	5 3/4	6 1/2	6 3/4
4	3 3/4	6 3/4	7	7 1/2	8	8 1/8
5	4 5/8	7 5/8	8 1/4	9 3/8	9 5/8	9 7/8
6	5 1/2	8 5/8	9 3/4	10 3/8	11 1/4	11
8	7 3/8	10 7/8	12	12 1/2	14	13 3/4
10	9 3/8	13 1/4	14 1/8	15 5/8	17	17
12	11	16	16 1/2	17 7/8	19 1/2	20 3/8
14	12 1/4	17 3/8	18 7/8	19	20 3/8	22 5/8
16	14	20 1/8	21	21 7/8	22 1/2	25 1/8
18	15 3/4	21 1/4	23 1/4	23 3/4	25	27 5/8
20	17 1/2	23 1/2	25 1/2	26 5/8	27 3/8	29 5/8
24	21 1/4	27 7/8	30 1/4	30 7/8	32 7/8	35 3/8
30	27 1/4	34 3/8	37 1/8	37 7/8	39 3/8	***
36	33	40 7/8	43 5/8	44 1/8	46 7/8	***

Conical Strainer Cone Type & Flat Top Type

Line Size	Length (Inches)							
	Cone Type				Flat Top Type			
	100%OA	150%OA	200%OA	300%OA	100%OA	150%OA	200%OA	300%OA
3/4	3	4	5	6	1 1/2	2	3	4
1	3	4	5	6	1 1/2	2	3	4
1 1/2	3 1/2	4 1/2	6	9	2	2 1/2	3 1/2	5
2	4	6	8	11	2 1/2	3	4	6
2 1/2	4	6	8	11	2 1/2	3	4	6
3	5	7	9	13	3	4 1/2	6	8
4	8	10	12	18	4	5	7	11
5	8	11	14	22	5	6 1/2	9	14
6	9	13	18	25	5 1/2	8	11	17
8	12	17	23	33	7	11	14	21
10	14	21	28	41	8	13	17	26
12	16	25	34	49	10	15	20	31
14	18	27	36	53	10	16	22	33
16	21	31	40	61	12	19	24	37
18	24	35	46	68	14	21	27	41
20	26	38	51	76	16	24	31	48
24	31	45	61	90	18	28	37	57
30	38	57	76	114	22	34	46	71
36	46	68	91	130	27	42	58	85

Conical Strainer Cone Type & Flat Top Type



Factory in AP

Head

Web Wire Mesh CO.,Ltd.

NO 12 The East Zone Development Industry
Hebei, China

Tel: +86 0318 7568801

Fax: +86 0318 7568802

E-mail: zhao@webwirecloth.com

Internet: www.webwirecloth.com

Branch

Web Wire Mesh CO.,Ltd.---SJZ Branch

NO 2701 CYC Shijiazhuang City
Hebei, China

Tel: +86 0311 89255081

Fax: +86 0311 89255081

E-mail: zhao@webwirecloth.com

Internet: www.webwirecloth.com