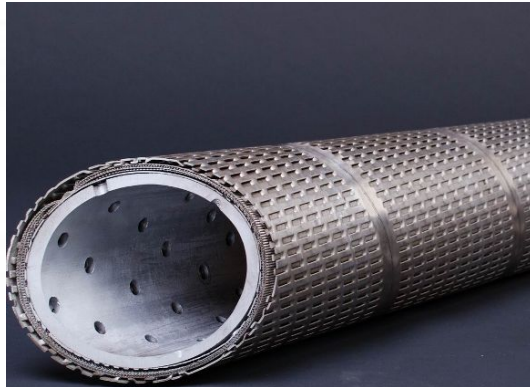




**WIRE MESH**  
WEB WIRE MESH CO.,LTD

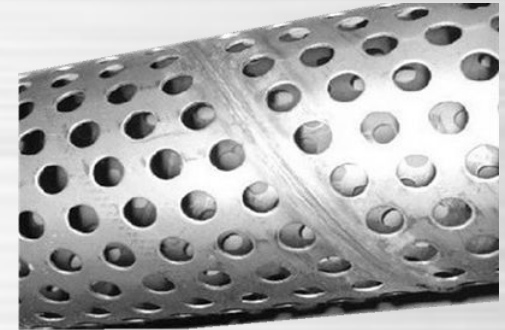
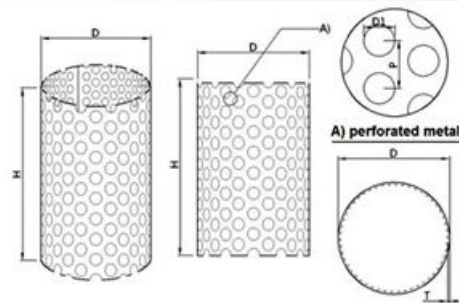
## Sand Control Screen



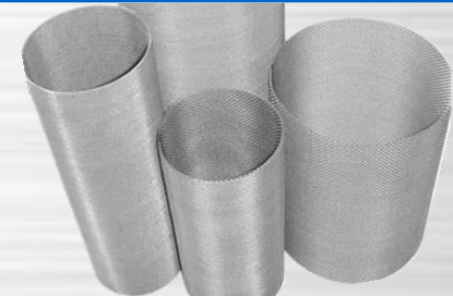
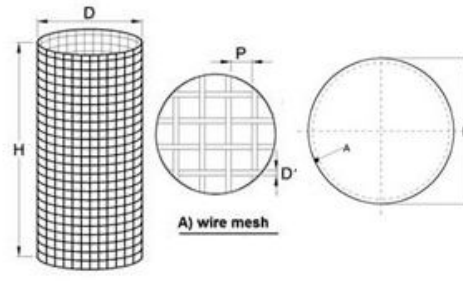
**Perforated Screen &  
Compound Screen &  
Wire Wrapped Screen**

# Sand Control Screen Material

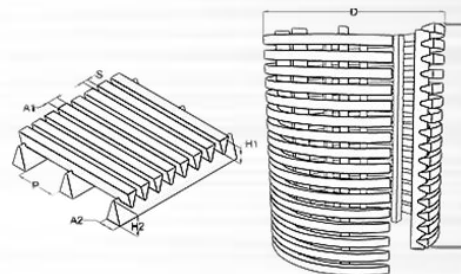
## Perforated Metal Tube



## Woven Wire Mesh Tube



## Wire Wrapped Screen



## Sand Control Screen Perforated Screen



Size DN(inch)	Base Pipe		Perforated Screen		
	Outside (mm)	Weight (kg/m)	Max Outside (mm)	Weight (kg/m)	Precision (μm)
2-3/8	60.3	6.85	66	7.9	300~800
2-7/8	73	9.54	80	10.9	300~800
3-1/2	88.9	13.7	96	15.5	300~800
4	101.6	14.2	109	16.3	300~800
4-1/2	114.3	17.3	121	19.9	300~800
5	127	22.4	134	25.8	300~800
5-1/2	139.7	25.3	147	29.1	300~800
6-5/8	168.3	35.8	175	41.2	300~800
7	177.8	38.7	185	44.5	300~800
Length (m)	4.8~5.0		L: 4 m x 1 part		
	9.3~9.6		L: 4 m x 2 part		
	11.3~11.6		L: 5 m x 2 part		

## Sand Control Screen Compound Screen



Base Pipe			Protection Screen	
Size DN(inch)	Outside (mm)	Max Outside (mm)	Precision (μm)	Length (m)
2-3/8	60.3	75	60~350	3.2-13
2-7/8	73	90	60~350	3.2-13
3-1/2	89	108	60~350	3.2-13
4	101.6	120	60~350	3.2-13
4-1/2	114.3	132	60~350	3.2-13
5	127	148	60~350	3.2-13
5-1/2	139.7	158	60~350	3.2-13
6-5/8	168.3	190	60~350	3.2-13
7	177.8	196	60~350	3.2-13

Note: pipe length is 3-12m,it can be adjusted according to customers' request

## Sand Control Screen Wire Wrapped Screen



Base Pipe			Wire Wrapped Screen		
Size DN(inch)	Outside (mm)	Inside (mm)	Outside (mm)	Slot Size (mm)	
2-3/8	60.3	63	73	0.2-3.0	
2-7/8	73	74	85	0.20-3	
3-1/2	88.9	92	102	0.2-3.0	
4	101.6	103	127	0.2-3.0	
4-1/2	114.3	116	130	0.2-3.0	
5-1/2	139.7	142	154	0.2-3.0	
6-5/8	168.3	172	184	0.2-3.0	
7	177.8	183	195	0.2-3.0	
8-5/8	219.1	220	232	0.2-3.0	
9-5/8	244.48	246	260	0.25-3.0	
10-3/4	273.05	276	290	0.25-3.0	
13-3/8	339.70	342	355	0.25-3.0	
Length (m)	5.8	L: 5.0 m x 1 part			
	9.3~9.6	L: 4.5 m x 2 part			
	11~12	L: 5.0 m x 2 part			

**Sand Control Screen**  
**Round & Circular & Square & Oval Type**



Factory in AP

**Head**

**Web Wire Mesh CO.,Ltd.**

NO 12 The East Zone Development Industry  
Hebei, China

Tel: +86 0318 7568801

Fax: +86 0318 7568802

E-mail: [zhao@webwirecloth.com](mailto:zhao@webwirecloth.com)

Internet: [www.webwirecloth.com](http://www.webwirecloth.com)

**Branch**

**Web Wire Mesh CO.,Ltd.---SJZ Branch**

NO 2701 CYC Shijiazhuang City

Hebei, China

Tel: +86 0311 89255081

Fax: +86 0311 89255081

E-mail: [zhao@webwirecloth.com](mailto:zhao@webwirecloth.com)

Internet: [www.webwirecloth.com](http://www.webwirecloth.com)